

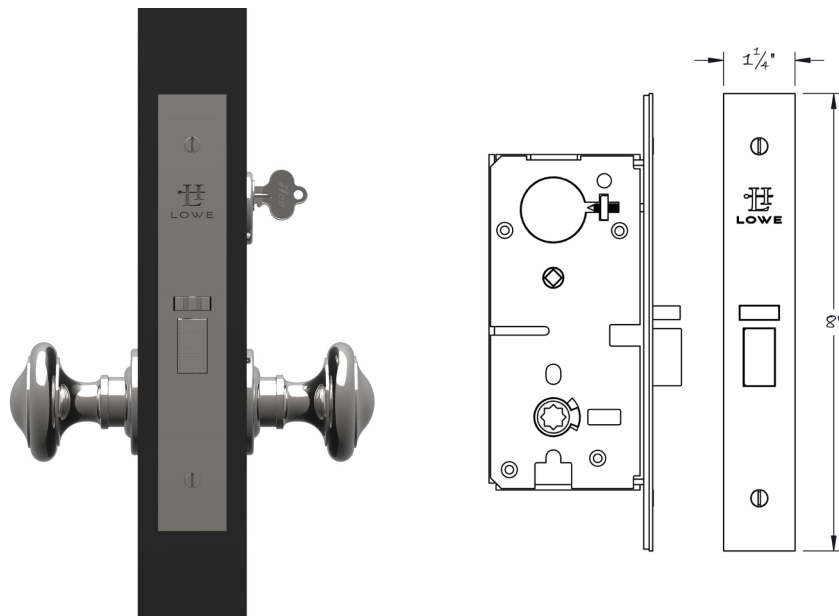


LOWE HARDWARE

No. 859

---

NARROW BACKSET MORTISE STOREROOM LOCK



*The Lowe 859 narrow backset mortise storeroom lock is available in 1-1/2", 1-3/4", 2", or 2-1/4" backsets. Typically used as a storeroom lock or as an entry lock in conjunction with an electric strike. From the outside the 859 maintains a locked position always requiring a key to enter. From the inside free egress is always available. The lock can be configured at the factory to be used with levers, or on the 2-1/4" backset version, also with knobs. It is supplied with a strikeplate and stamped metal dustbox, and the faceplate has an adjustable bevel.*

*Center dimension between the handle and cylinder is 3-5/8".*

*The 859 is also available for use upside down.*

*Available in any of our yacht quality finishes.*

---

• DESIGNED, MANUFACTURED & HAND FINISHED IN MAINE SINCE 1977 •