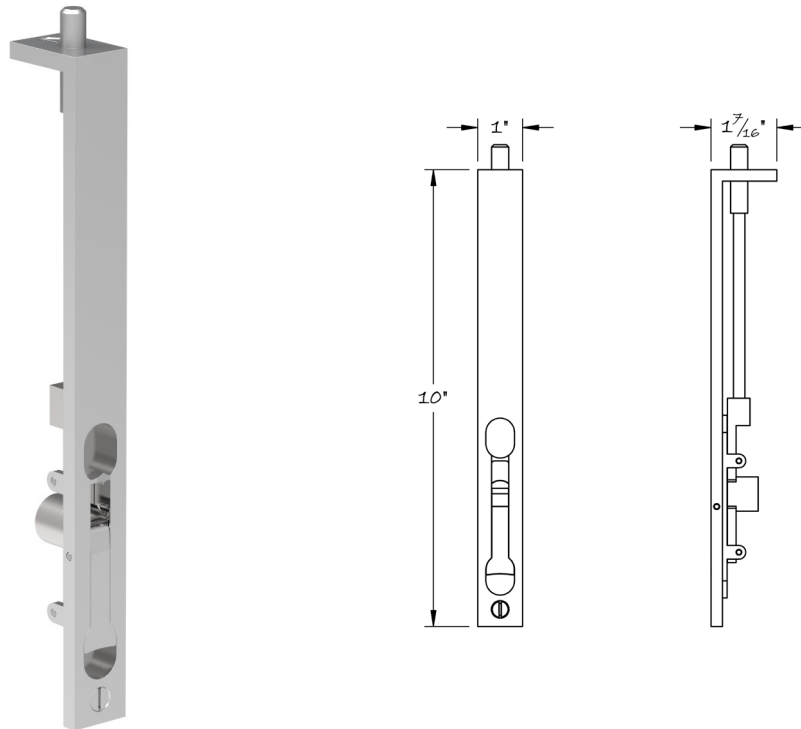




LOWE HARDWARE

No. 4066



*Lowe Hardware's No. 4066 flush bolt is designed to make pocket doors steadfast while under way, either in the open or closed position. The piece can also be used on swinging door pairs, where the bolt is usually installed top and bottom on the inactive door.*

*Full mortised surface/edge bolt with a fixed dimension of 10" from the top or bottom of the door leaf.*

• DESIGNED, MANUFACTURED & HAND FINISHED IN MAINE SINCE 1977 •