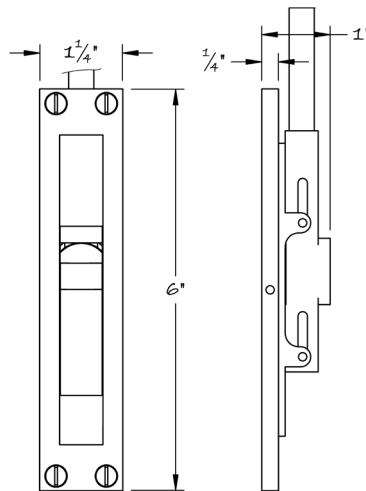




LOWE HARDWARE

No. 4065



*A larger version of our #4064 surface/edge bolt. Again this bolt can be mounted to the door edge or face and the rod bolt is cut to length allowing for placement anywhere vertically on the door.*

*Available in any of our yacht quality finishes.*

• DESIGNED, MANUFACTURED & HAND FINISHED IN MAINE SINCE 1977 •