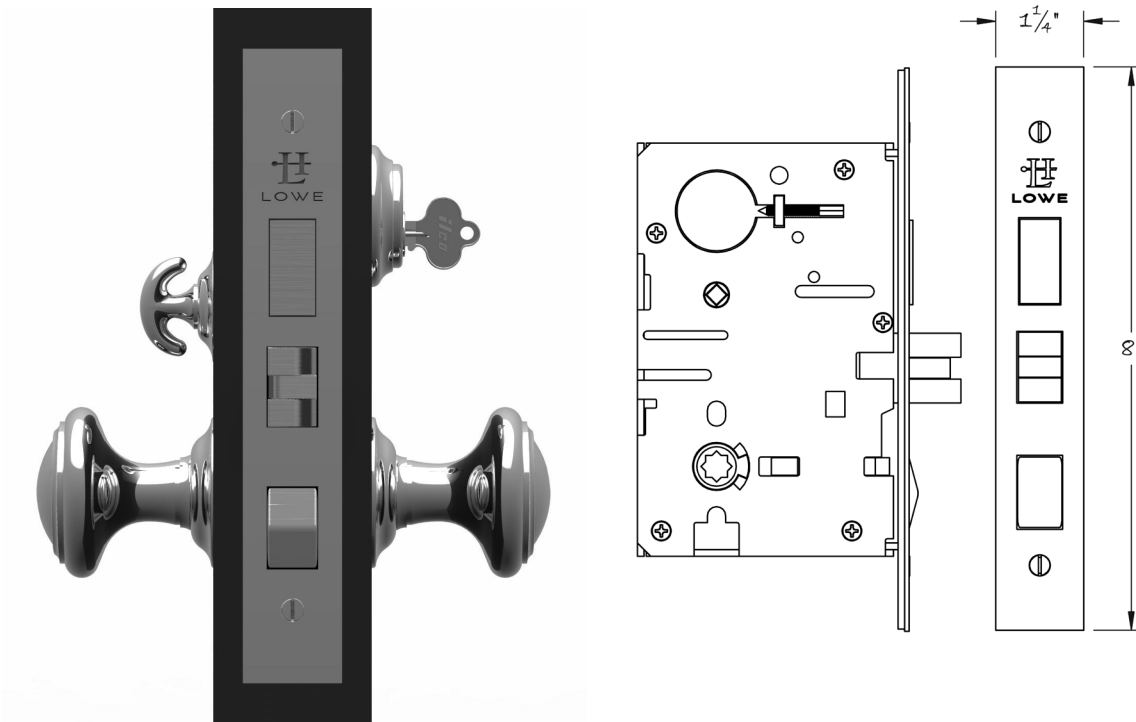




LOWE HARDWARE

No. 149

FULL MORTISE ENTRANCE LOCK



*The Lowe 149 full mortise entrance lock is available in 2-1/2", 2-3/4", 3-3/4", 5" or 6" backsets. The 148 features a 1" reinforced deadbolt, full egress functionality, and toggle stop. The 149 is typically used on residential entry doors where the ability to leave the outside handle locked is desired. The lock can be configured at the factory to be used with knobs, levers, thumbatches or any combination thereof. It is supplied with a strikeplate and stamped metal dustbox, and the faceplate has an adjustable bevel. Center dimension between the handle and thumbturn is 2-7/16". The 149 is ANSI Grade 1, and is UL listed with a 3 hour fire rating.*

*Available in any of our yacht quality finishes.*

• DESIGNED, MANUFACTURED & HAND FINISHED IN MAINE SINCE 1977 •